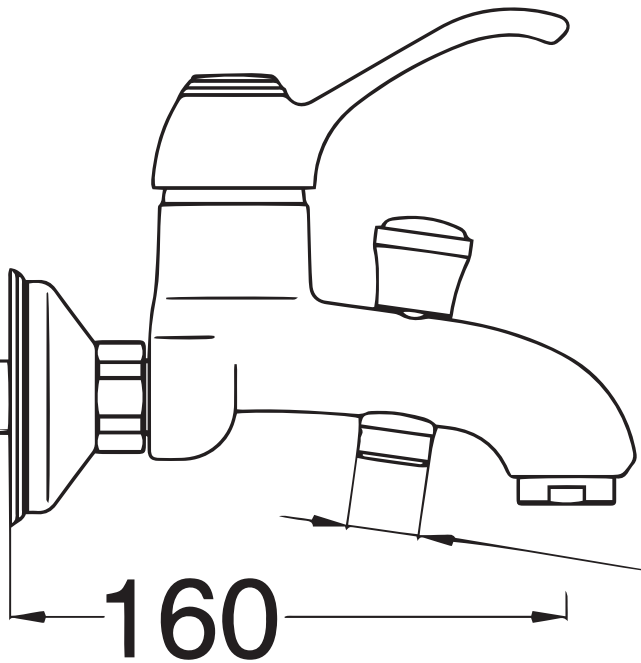


$\text{Ø}1/2$
GAS



$\text{Ø}1/2''$
GAS

