



Portate
Flow rates

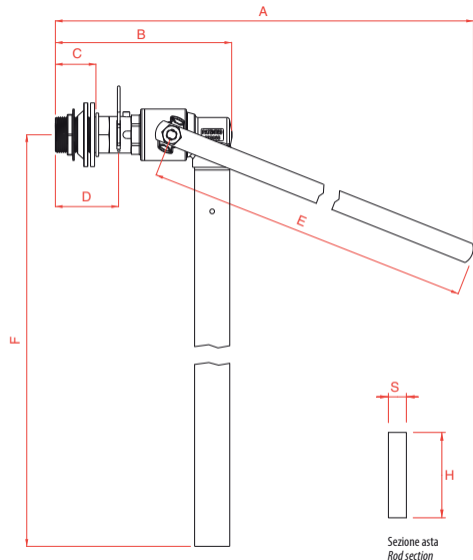
		m ³ /h									
Art.	Ø	0,5 bar	1 bar	2 bar	3 bar	4 bar	5 bar	6 bar	8 bar	10 bar	12 bar
525	3/4"	2,20	3,05	4,15	5,20	6,05	6,70	7,35	8,50	9,45	10,30

Misure d'ingombro
Overall dimension

		mm											
Art.	Ø	A	B	C	D	E	F	S	H			Plastica Plastic	
525	3/4"G	430	130	31	47	350	410	3,5	15	✓	30	Art. 533/1 Ø150	

Sfera consigliata
Recommended dimensions ball

Plastica
Plastic



Sezione asta
Rod section