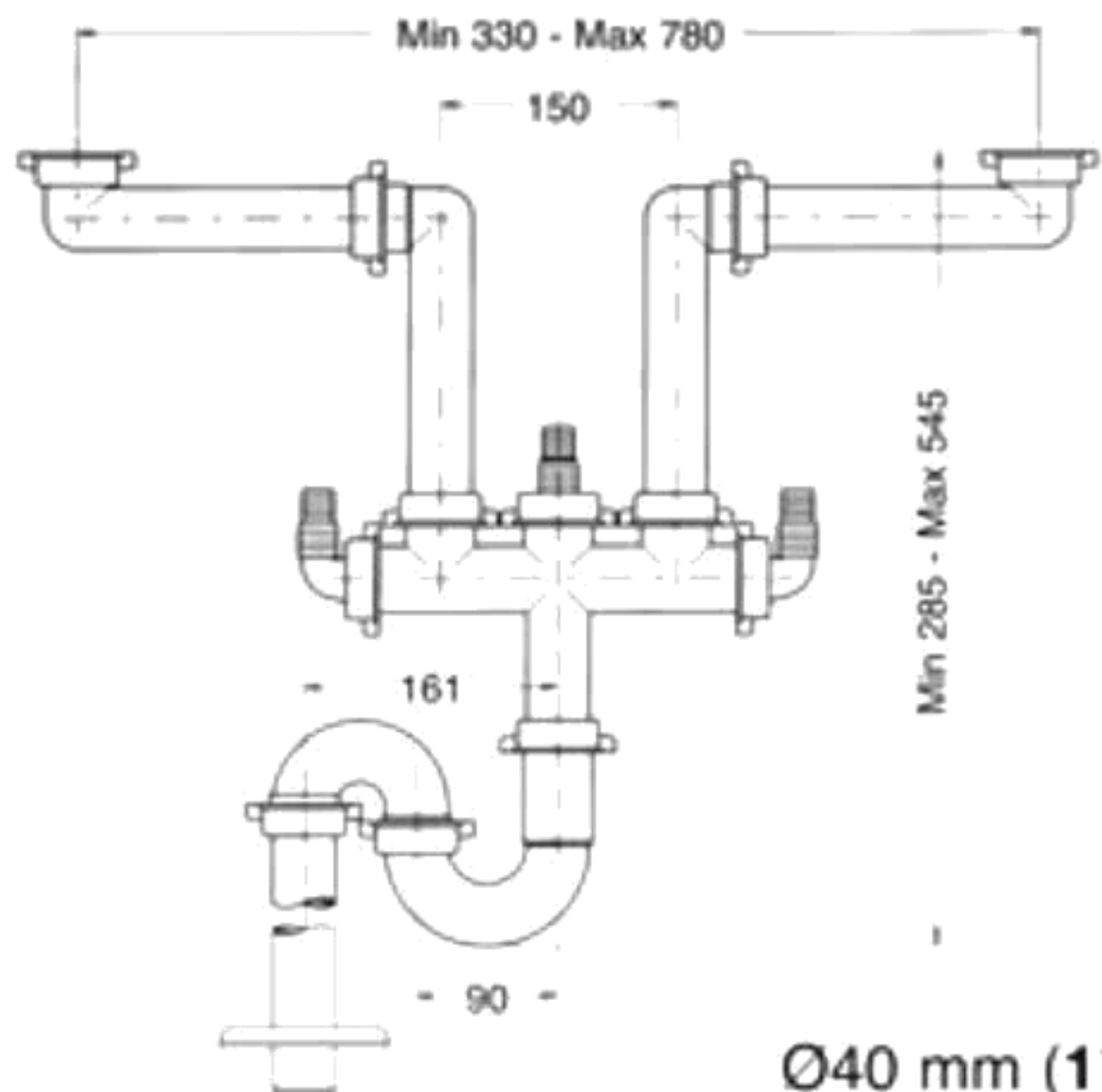


| A |

| A |



A=1½"G

Ø40 mm (1½")
Ø50 mm (2")